

**MORE
ADDED
VALUE**



MEGAlife I and MEGAlife II

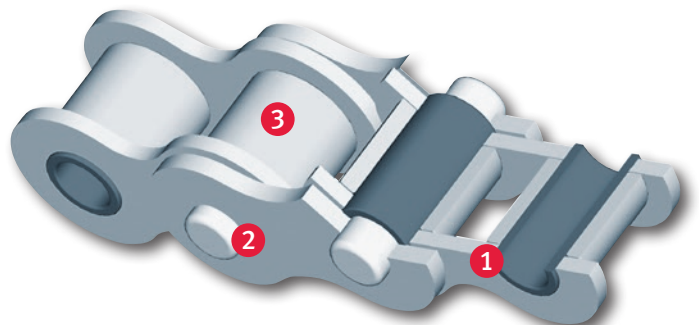
The maintenance free iwis chains

MEGAlife maintenance free roller and conveyor chains can be applied in all areas where post installation lubrication is not at all or only partly possible. This is the case in clean and dry surroundings or in applications with difficult lubrication passage. MEGAlife maintenance free chains are corrosion resistant due to nickel-plated parts and can be utilized in a temperature range from -40°C up to $+160^{\circ}\text{C}$.

All maintenance-free MEGAlife roller chains from JWIS have an extremely high breaking and fatigue strength, which means even better operational reliability for the customer. The chains offer exceptionally high wear resistance and long service life even without re-lubrication, keeping downtimes and servicing requirements to a minimum. Depending on the customer application, MEGAlife maintenance-free chains are supplied either dry or ready-treated with special-purpose lubricant.

MEGAlife Highlights:

- 1 Seamless sintered bush made of a material specially developed for this application, hardened and treated to optimize its tribological properties
- 2 Pin with wear-resistant, friction-optimized coating
- 3 Seamless roller with corrosion-resistant coating and geometry optimized on the sinter bush



iwis® MEGAlife I and MEGAlife II

The maintenance free iwis chains

PROBLEM/INITIAL SITUATION

- Lubrication is not at all or only partly possible
- Clean & dry surroundings are required
- Difficult/obstructed lubrication passage
- Contamination of manufacturing outlet and conveyor apparatus due to chain lubrication

OUR SOLUTION

A high performance, maintenance-free chain with redesigned joints. Innovative technical details which result in an, as yet, unbeatable service life, even without re-lubrication.

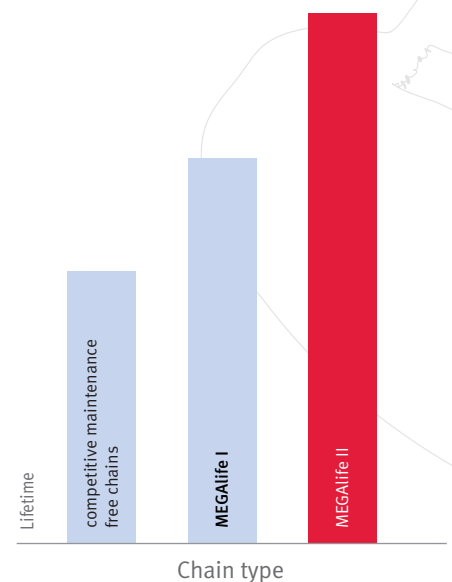
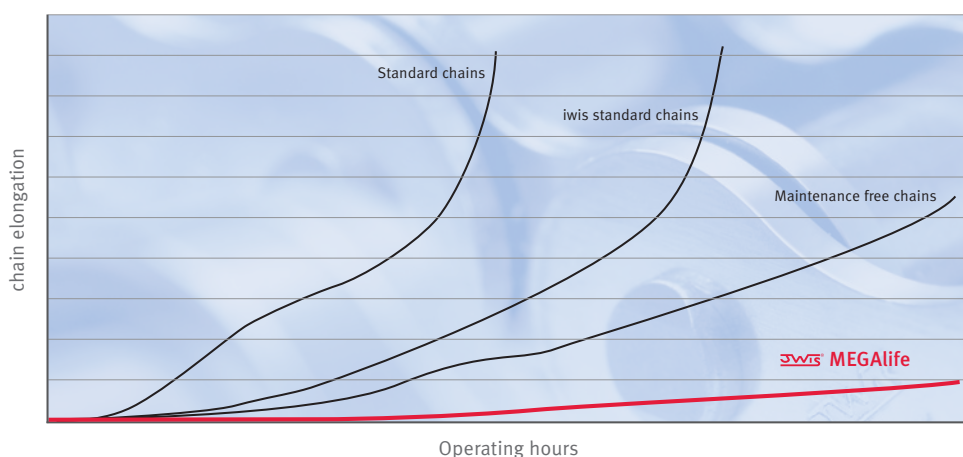
HIGHLIGHTS MEGALIFE I

- Excellently qualified for normal chain applications without re-lubrication at speeds amounting to **max.** 3 m/s
- Permanently maintenance free under certain conditions
- Easy to dismantle due to easy break
- Applicable in corrosive environments; recommendable with lubrication, if possible
- 100 % compatibility with iwis standard conveyor chains due to the use of original iwis attachments
- MEGAlife conveyor chains with elongated pins are chemically nickel-plated
- All roller chains are mounted with shouldered pins
- Environmentally friendly because lubrication is not necessary
- Also available as transfer chain TF, power and free conveyor chain SF or grip chain

HIGHLIGHTS MEGALIFE II

- The solution for **fast running** chain drives, $v > 3$ m/s and/or high loads
- Considerably improved wear resistance due to a special thermo-chemical treatment of the pins which influences the hardness of the surface and optimizes herewith the adhesiveness
- Distinctive longer lifetime
- Pins and sintering bushes are optimally adjusted to each other
- Not recommendable in environments susceptible to corrosion
- Mainly applied as drive chain, as conveyor chain only in exceptional cases – at high speeds and loads
- For demanding applications

Trial without re-lubrication at high speeds.
Graphic representation corresponds to iwis test results.





CUSTOMER BENEFITS

- Excellent wear resistance – even at high speeds and loads – where conventional maintenance free chains stretch
- Extremely high levels of fatigue and breaking strength
- Protected from corrosion due to nickel-plated parts
- Easy to dismantle, easy break
- Temperature range from -40°C up to +160°C
- Less production still-time and therefore reduced overall maintenance cost
- MEGALIFE chains are clean, dry and environmentally-friendly due to absence of excess lubrication

AREAS OF APPLICATION

- Packaging & Food Industry
- Printing Industry
- Material handling, Conveyor systems
- Textile & Clothing Industry
- Paper Manufacture & Book Binding Industry
- Electronic Industry & Circuit Board Manufacture
- Wood, Glass & Ceramic Industry
- Medical technology

... and of course in all areas where re-lubrication is not at all or only partly possible.

PRODUCT RANGE

- Roller chains according to DIN ISO 606 (DIN 8187 and DIN 8188)
- Roller chains with different attachments
- Roller chains with straight side plates
- Power and free conveyor chains
- Transfer chains
- Grip chains
- Special conveyor chains

MEGALife maintenance free roller and conveyor chains can be applied in all areas where post installation lubrication is not at all or only partly possible.

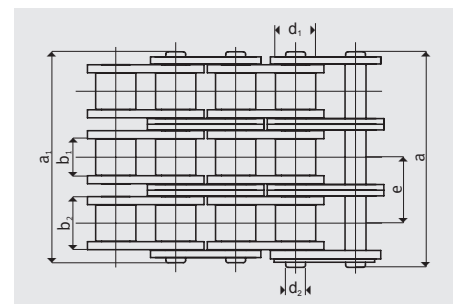
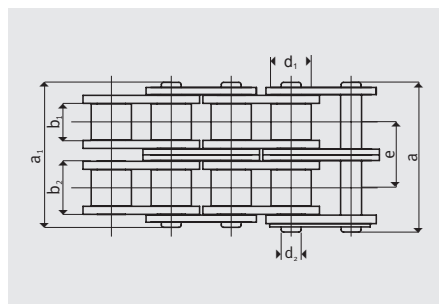
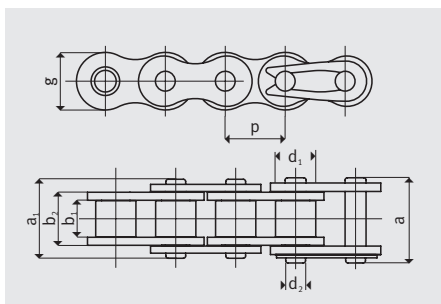


iwis® MEGAlife I roller chains

Complying with ISO 606

DIN/ISO no.	Ref. no. iwis	Pitch p (")	Pitch p (mm)	iwis (N) med.	Breaking strength FB		Breaking area f (cm²)	Weight per m q (kg/m)	Inner link			Outer link		Roller d ₁ (mm) max.	Pin d ₂ (mm) max.	Transverse pitch e (mm)	Article No. (5 M)
					Standard (N) min.	Standard (N) max.			b ₁ (mm) min.	b ₂ (mm) min.	g (mm) max.	a ₁ (mm) max. 1)	a (mm) max. 2)				
Simplex																	
06 B-1	G 67 ML*	3/8"	9,525	11.000	8.900	0,28	0,41	5,72	8,53	8,20	12,90	14,10	6,35	3,31	-		50033917
08 B-1	L 85 ML	1/2"	12,70	22.000	17.800	0,50	0,70	7,75	11,30	12,20	16,90	18,50	8,51	4,45	-		50026256
08 A-1 ANSI 40	L 85 AML	1/2"	12,70	17.500	13.900	0,44	0,60	7,94	11,15	12,00	16,60	17,50	7,95	3,96	-		50036841
10 B-1	M 106 ML	5/8"	15,875	25.000	22.200	0,67	0,95	9,65	13,28	14,40	19,50	20,90	10,16	5,08	-		50026257
12 B-1	M 127 ML	3/4"	19,05	30.000	28.900	0,89	1,25	11,75	15,62	16,20	22,70	23,60	12,07	5,72	-		50026258
12 A-1 ANSI 60	M 128 AML	3/4"	19,05	41.000	31.300	1,06	1,47	12,70	17,75	18,00	25,30	26,70	11,91	5,96	-		50038464
16 B-1	M 1611 ML	1"	25,40	75.000	60.000	2,10	2,70	17,02	25,45	21,10	36,10	36,90	15,88	8,28	-		50028923
16 A-1 ANSI 80	M 1610 AML	1"	25,40	68.000	55.600	1,79	2,57	15,88	22,40	22,80	32,00	33,90	15,88	7,94	-		50041322
20B-1	M 2012 ML	1 1/4"	31,75	120.000	95.000	2,92	3,72	19,56	29,10	26,20	41,60	43,30	19,05	10,17	-		50037775
Duplex																	
06 B-2	D 67 ML	3/8"	9,525	19.000	16.900	0,56	0,78	5,72	8,53	8,20	23,40	24,60	6,35	3,31	10,24		50033832
08 B-2	D 85 ML	1/2"	12,70	40.000	31.100	1,00	1,35	7,75	11,30	12,20	30,80	32,40	8,51	4,45	13,92		50027439
10 B-2	D 106 ML	5/8"	15,875	50.000	44.500	1,34	1,85	9,65	13,28	14,40	36,00	37,50	10,16	5,08	16,59		50027509
12 B-2	D 127 ML	3/4"	19,05	60.000	57.800	1,78	2,50	11,75	15,62	16,40	42,10	43,00	12,07	5,72	19,46		50027457
16 B-2	D 1611 ML	1"	25,40	150.000	106.000	4,21	5,40	17,02	29,45	21,10	68,00	68,80	15,85	8,28	31,88		50033161
20 B-2	D 2012 ML	1 1/4"	31,75	210.000	170.000	5,84	7,36	19,56	29,01	25,40	79,70	82,90	19,05	10,19	36,45		50033771
Triplex																	
08 B-3	TR 85 ML	1/2"	12,70	58.000	44.500	1,50	2,00	7,75	11,30	12,20	44,70	46,30	8,51	4,45	13,92		50027510
10 B-3	TR 106 ML	5/8"	15,875	75.000	66.700	2,02	2,80	9,65	13,28	14,40	52,50	54,00	10,16	5,08	16,59		50027511
12 B-3	TR 127 ML	3/4"	19,05	89.000	86.700	2,68	3,80	11,75	15,62	16,40	61,50	62,50	12,07	5,72	19,46		50027512
16 B-3	TR 1611 ML	1"	25,40	219.000	160.000	6,32	8,00	17,02	25,45	21,10	99,20	100,70	15,88	8,28	31,88		50033628
Simplex/duplex - MEGAlife roller chains with straight side plates																	
10 B-1	M 106 ML-GL	5/8"	15,875	24.000	22.200	0,67	0,95	9,65	13,28	13,90	19,50	20,90	10,16	5,08	-		50035304
10 B-2	D 106 ML-GL	5/8"	15,875	47.500	44.500	1,34	1,85	9,65	13,28	13,90	36,00	37,50	10,16	5,08	16,59		50034083
12 B-1	M 127 ML-GL	3/4"	19,05	30.000	28.900	0,89	1,30	11,75	15,62	16,10	22,70	23,60	12,07	5,72	-		50037351
12 B-2	D 127 ML-GL	3/4"	19,05	63.000	57.800	1,78	2,50	11,75	15,62	16,10	42,10	43,00	12,07	5,72	19,46		50034084

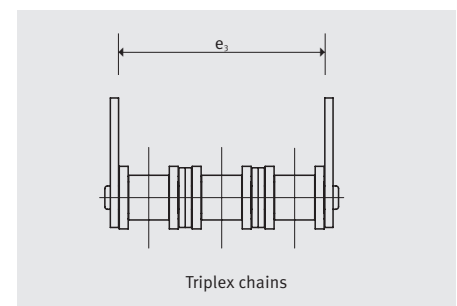
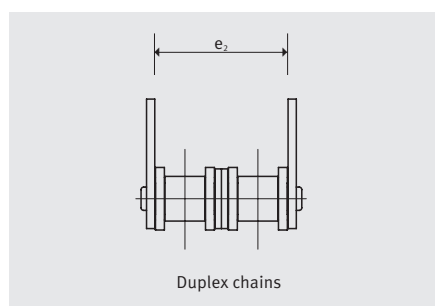
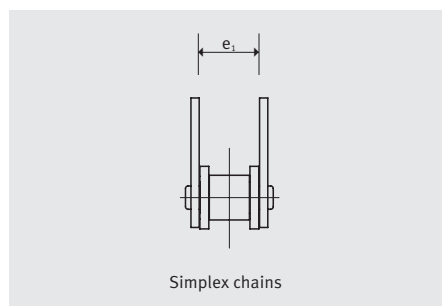
* also available in 10 m length (Art. 50035181), with straight side plates 1) Differing dimensions for cranked links 2) If cranked links are fitted, it should be noted that the breaking strength of the chain may be reduced by approximately 20%.



iwis® MEGAlife I conveyor chains with straight attachment plates based on iwis roller chains complying with ISO 606

DIN ISO no.	Ref. no. iwis	Pitch p (") ²⁾	Pitch p (mm) ²⁾	a (mm)	b (mm)	d (mm)	Simplex chains e ₁ (mm)	Duplex chains e ₂ (mm)	Triplex chains e ₃ (mm)	g (mm)	i (mm)	l (mm)	s (mm)	M (mm)	m max. (mm)	Threaded insert
Shape 102.1																
08 B-1	L 85 ML ¹⁾	1/2"	12,70	13,0	19,0	4,2	11,6	25,5	39,4	5,4	-	18,0	1,5	4	5,2	
10 B-1	M 106 ML ¹⁾	5/8"	15,875	16,3	24,3	5,2	13,6	30,1	46,6	6,8	-	24,0	1,6	5	5,3	
12 B-1	M 127 ML ¹⁾	3/4"	19,05	19,1	29,1	6,2	15,9	35,3	54,7	7,4	-	28,0	1,8	5	5,5	
16 B-1	M 1611 ML	1"	25,40	24,6	36,6	8,2	25,9	57,8	89,7	10,4	-	36,2	3,0	6	8,2	
Shape 103.1 and 103.2																
08 B-1	L 85 ML ¹⁾	1/2"	12,70	17,0	23,0	4,2	11,6	25,5	39,4	5,4	12,7	23,6	1,5	4	5,2	
10 B-1	M 106 ML ¹⁾	5/8"	15,875	16,3	25,8	5,2	13,6	30,1	46,6	7,5	15,8	31,0	1,6	5	5,3	
12 B-1	M 127 ML ¹⁾	3/4"	19,05	18,3	29,0	6,2	15,9	35,3	54,7	9,0	19,0	37,2	1,8	5	5,5	
16 B-1	M 1611 ML	1"	25,40	28,45	41,55	8,2	25,9	57,8	89,7	10,35	25,4	47,2	3,0	6	8,2	

¹⁾ also for the corresponding duplex and triplex chains ²⁾ Nominal pitch

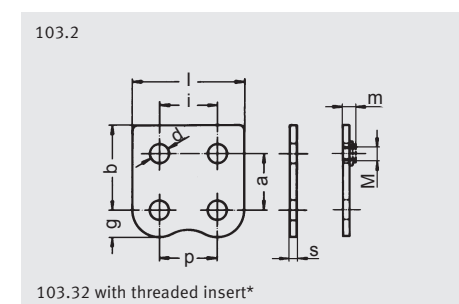
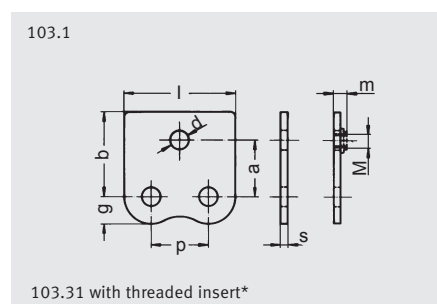
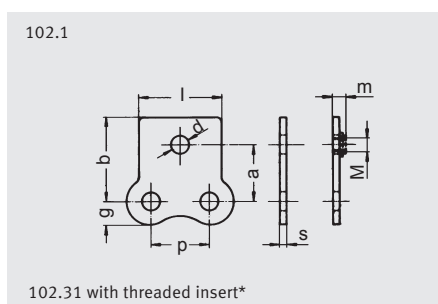


STRAIGHT ATTACHMENTS

The types illustrated are also obtainable for connector and outer links for final assembly and repair.

Fitting attachments on one or both sides, on each outer link or at greater spacing is possible.

Other conveying chains and threaded inserts on request.

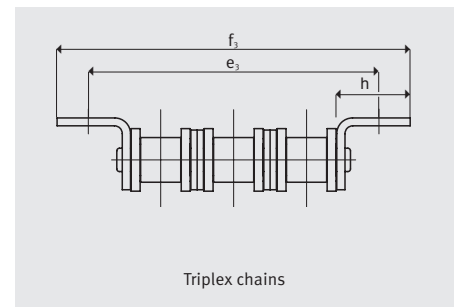
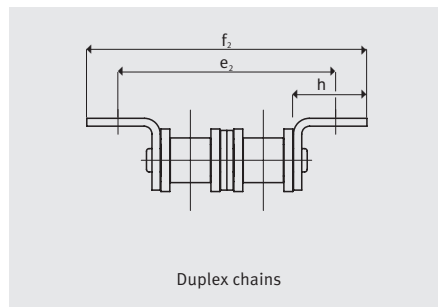
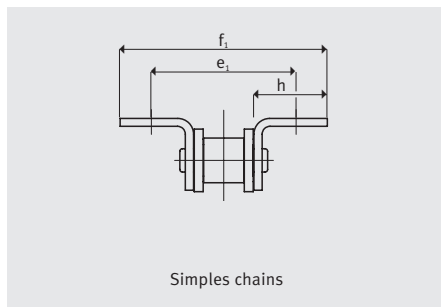


*On request

iwis® MEGAlife I conveyor chains with bent attachment plates based on iwis roller chains complying with ISO 606

DIN/ISO no.	Ref. no. iwis	Pitch p (") ²⁾	Pitch p (mm) ²⁾	c (mm)	d (mm)	e ₁ (mm)	Simplex chains		Duplex chains		Triplex chains		g (mm)	h (mm)	i (mm)	l (mm)	s (mm)	M (mm)	m max. (mm)	Threaded insert
							f ₁ (mm)	e ₂ (mm)	f ₂ (mm)	e ₃ (mm)	f ₃ (mm)									
Shape 202.1																				
08 B-1	L 85 ML ¹⁾	1/2"	12,70	8,0	4,2	27,6	39,6	41,5	53,5	55,4	67,4	5,4	14,0	-	18,1	1,5	4	5,2		
10 B-1	M 106 ML ¹⁾	5/8"	15,875	9,0	5,2	33,6	49,6	50,1	66,1	66,6	82,6	6,8	18,0	-	24,0	1,6	5	5,3		
12 B-1	M 127 ML ¹⁾	3/4"	19,05	10,0	6,2	41,1	61,1	60,5	80,5	79,9	99,9	7,4	22,6	-	28,0	1,8	5	5,5		
16 B-1	M 1611 ML	1"	25,40	16,0	8,2	53,9	77,9	85,8	109,8	117,7	141,7	10,4	26,0	-	36,2	3,0	6	8,2		
Shape 203.1 and 203.2																				
08 B-1	L 85 ML ^{1) 2)}	1/2"	12,70	9,5	4,2	32,6	44,6	46,5	58,5	60,4	72,4	5,4	16,5	12,7	23,6	1,5	4	5,2		
10 B-1	M 106 ML ^{1) 2)}	5/8"	15,875	11,0	5,2	30,6	49,6	47,1	66,1	63,6	82,6	7,5	18,0	15,8	31,0	1,6	5	5,3		
12 B-1	M 127 ML ^{1) 2)}	3/4"	19,05	12,0	6,2	35,5	56,9	54,9	76,3	74,3	95,7	9,0	20,5	19,0	37,2	1,8	5	5,5		
16 B-1	M 1611 ML	1"	25,40	18,0	8,2	57,7	83,9	89,6	115,8	121,5	147,8	10,4	29,0	25,4	47,2	3,0	6	8,2		

Conveyor chains D 1611 ML and TR 1611 ML on request ¹⁾ Also for the corresponding duplex and triplex chains ²⁾ Assembly of the bent attachments also possible inward over the chain **except** when fitted on both sides to D 85 ML, D 106 ML and D 127 ML ³⁾ Nominal pitch

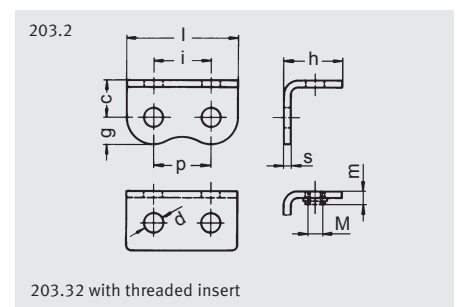
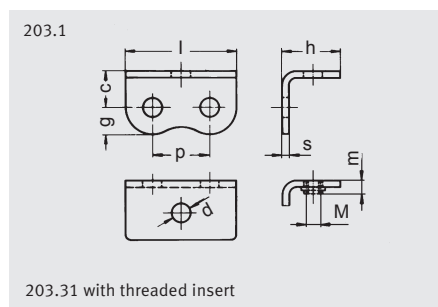
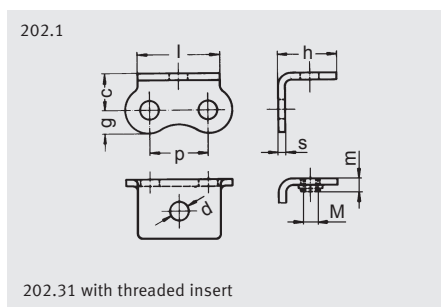


BENT ATTACHMENTS

The types illustrated are also obtainable for connector and outer link for final assembly and repair. Assembly of the bent attach-

ments with threaded insert over the chain facing inwards is not possible. Fitting bent attachments on one or both sides on each

outer link or at greater spacing is possible. Other conveying chains and threaded inserts on request.



*On request

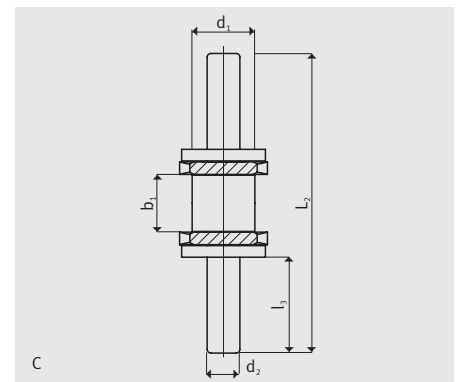
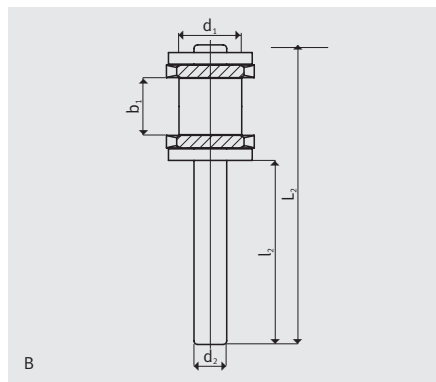
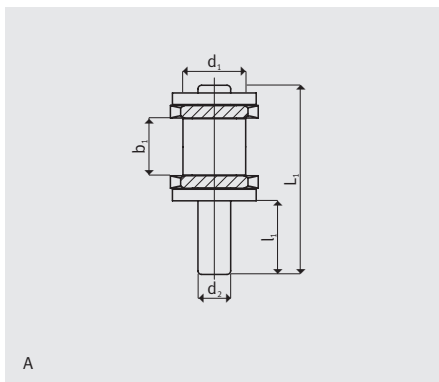
iwis® MEGAlife I conveyor chains with extended pins based on iwis roller chains complying with ISO 606

DIN ISO no.	Ref. no. iwis ¹⁾	Pitch p (") ²⁾	Pitch p (mm) ²⁾	Inner width b ₁ (mm)	Roll diameter d ₁ (mm)	Pin diameter d ₂ (mm)	L ₁ (mm)	Design A		Design B and C	
								l ₁ (mm)	L ₂ (mm)	l ₂ (mm)	l ₃ (mm)
Pin type A, B, C											
08 B-1	L 85 ML ¹⁾	1/2"	12,70	7,75	8,51	4,45	25,5	10,0	40,5	25,0	13,0
10 B-1	M 106 ML ¹⁾	5/8"	15,875	9,65	10,16	5,08	30,0	12,0	48,0	30,0	15,5
12 B-1	M 127 ML ¹⁾	3/4"	19,05	11,75	12,07	5,72	36,0	15,0	51,0	30,0	15,5
16 B-1	M 1611 ML	1"	25,40	17,02	15,88	8,28	53,8	20,0	68,5	35,0	18,0

¹⁾ For multiple chains on request ²⁾ Nominal pitch Other pin lengths and shapes on request

EXTENDED PINS

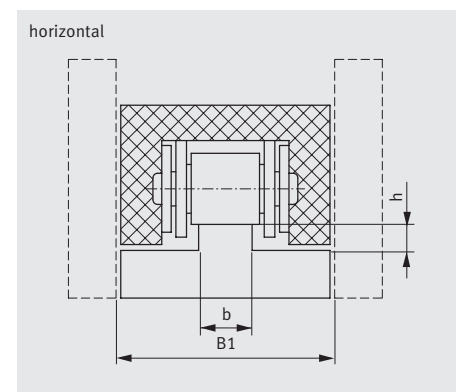
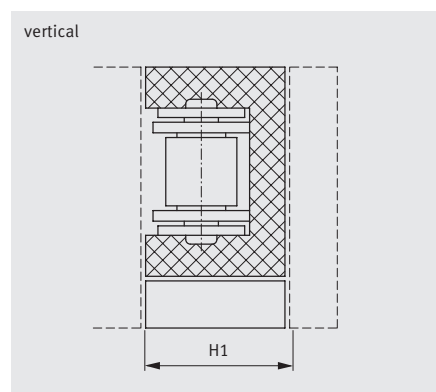
The types illustrated are also available as connecting links and outer links for final assembly and repair (C only as outer link).



iwis® MEGAlife I Transfer chains

based on iwis roller chains complying with DIN ISO 606 (DIN 8187)

Ref. no. iwis	B ₁	b	h	H ₁	Article No. (S-M)
L 85 TF ML-1	20	7,5	3,1	15,4	50027317
M 106 TF ML-1	25	9,5	3,1	17,7	50036409
M 127 TF ML-1	30	11,3	2,9	20,0	50032663



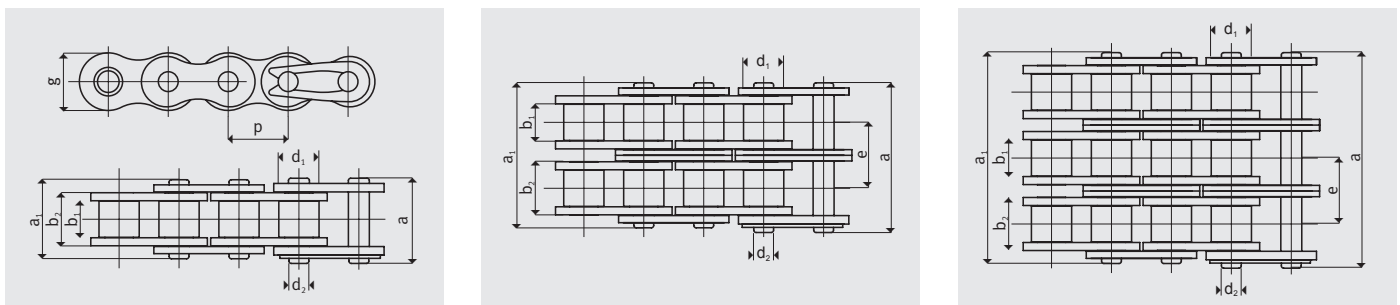
iwis® MEGAlife II – Roller chains

Complying with ISO 606

DIN ISO no.	Ref. no. iwis	Pitch p (")	Pitch p (mm)	iwis (N) med.	Breaking strength F_B		Weight per m q (kg/m)	Inner link			Outer link		Roller d_1 (mm) max.	Pin d_2 (mm) max.	Transverse pitch e (mm)	Article No. (5 M)
					Standard (N) min.	Bearing area f (cm ²)		b_1 (mm) min.	b_2 (mm) min.	g (mm) max.	a_1 (mm) max. ¹⁾	a (mm) max. ¹⁾				
Simplex																
06 B-1	G 67 ML-2*	3/8"	9,525	11.000	8.900	0,28	0,41	5,72	8,53	8,20	12,90	14,10	6,35	3,31	-	50030791
08 B-1	L 85 ML-2	1/2"	12,70	22.000	17.800	0,50	0,70	7,75	11,30	12,20	16,90	18,50	8,51	4,45	-	50030461
10 B-1	M 106 ML-2	5/8"	15,875	25.000	22.200	0,67	0,95	9,65	13,28	14,40	19,50	20,90	10,16	5,08	-	50030462
12 B-1	M 127 ML-2	3/4"	19,05	30.000	28.900	0,89	1,25	11,75	15,62	16,40	22,70	23,60	12,07	5,72	-	50030463
16 B-1	M 1611 ML-2	1"	25,40	75.000	60.000	2,10	2,70	17,02	25,45	21,10	36,10	36,90	15,88	8,28	-	50030464
20 B-1	M 2012 ML-2	1 1/4"	31,75	120.000	95.000	2,92	3,72	19,56	29,10	26,20	41,60	43,30	19,05	10,17	-	50033036
Duplex																
06 B-2	D 67 ML-2	3/8"	9,525	19.000	16.900	0,56	0,78	5,72	8,53	8,20	23,40	24,60	6,35	3,31	10,24	50031074
08 B-2	D 85 ML-2	1/2"	12,70	40.000	31.100	1,00	1,35	7,75	11,30	12,20	30,80	32,40	8,51	4,45	13,92	50030465
10 B-2	D 106 ML-2	5/8"	15,875	49.000	44.500	1,34	1,85	9,65	13,28	14,40	36,00	37,50	10,16	5,08	16,59	50030466
12 B-2	D 127 ML-2	3/4"	19,05	61.000	57.800	1,78	2,50	11,75	15,62	16,40	42,10	43,00	12,07	5,72	19,46	50030467
Triplex – ML-2 roller chains on request																
Simplex ANSI chains																
08 A-1 ANSI 40	L 85 AML-2	1/2"	12,70	17.500	13.900	0,44	0,60	7,94	11,15	12,00	16,60	17,50	7,95	3,96	-	50033770
12 A-1 ANSI 60	M 128 AML-2	3/4"	19,05	41.000	31.300	1,06	1,47	12,70	17,75	18,00	25,30	26,70	11,91	5,96	-	50031073

ML-2 conveyor chains on request

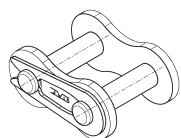
¹⁾ Differing dimensions for cranked links. If cranked links are fitted, it should be noted that the breaking strength of the chain may be reduced by approximately 20%. * straight side plates



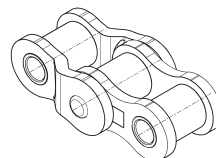
INDIVIDUAL COMPONENTS AND CONNECTING LINKS



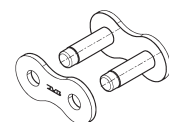
Nr. 2 Inner link
Standard designation B



Nr. 3 Connecting link with spring clip
Standard designation E



Nr. 7 Double cranked link
Standard designation C



Nr. 8 Outer link
Standard designation A

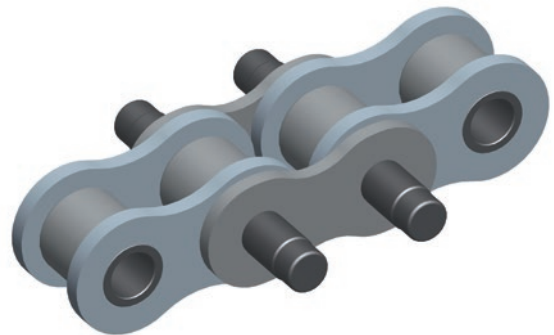
iwis® MEGAlife conveyor chains

Examples of special chain designs

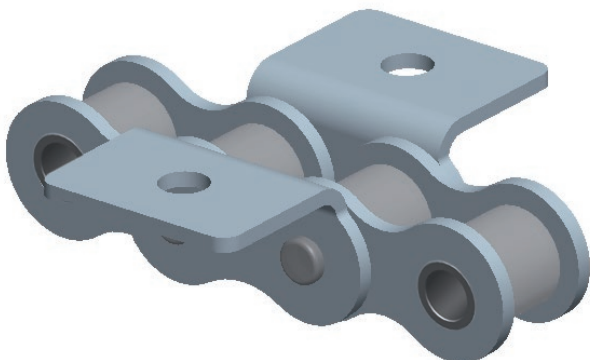
MEGAlife conveyor chain with straight attachment plates



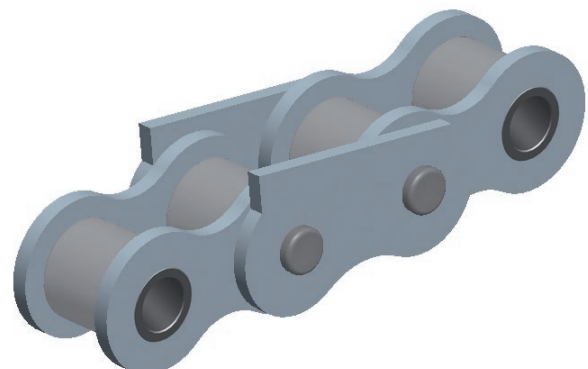
MEGAlife conveyor chain with extendend pins



MEGAlife conveyor chain with bent attachment plates



MEGAlife conveyor chain with special attachment plates



iwis® MEGAlife power and free conveyor chains More Efficiency and sustainability

PROBLEM/INITIAL SITUATION

- Lubrication is not at all or only partly possible
- Clean & dry surroundings required
- Difficult/obstructed lubrication passage
- Contamination of installation and material to be conveyed due to chain lubrication

OUR SOLUTION

Maintenance free power and free conveyor chain with special redesigned joint and transport rollers made of sintered metal – a technical innovation – **the first genuine maintenance free power and free conveyor chains with light running rollers.**

HIGHLIGHTS

- Excellent wear resistance – also under extreme environmental conditions
- Easy to dismantle
- Reduced overall maintenance cost
- Less production stop and machine downtime
- Environmentally-friendly due to lubrication free chain surface
- Chains suitable for clean rooms

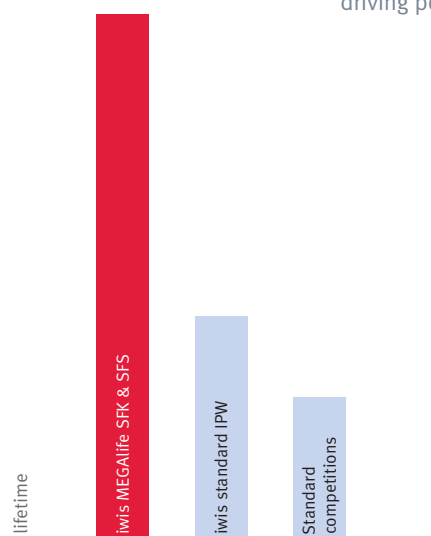
TECHNICAL FEATURES

- Dry chain surface and transport rollers
- Corrosion resistant
- Transport rollers optional as plastic material or steel (stainless steel or nickel-plated)
- Temperature range for use –40 °C up to +160 °C (for transport rollers made of steel)
- iwis MEGAlife power and free conveyor chains are available in the new iwis or classic design in 1/2 inch and 3/4 inch pitch
- Transport rollers made of sintered metal reduce friction. This leads to reduction of driving power and strain on the chain

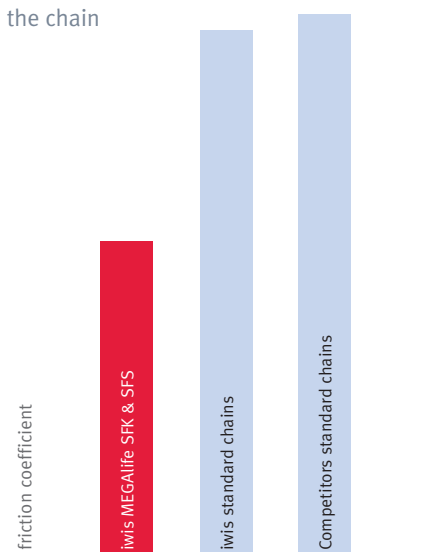
AREAS OF APPLICATION

- Electronic Industry & Circuit Board Manufacture
- Packaging & Food Industry
- Conveyor-Equipment
- Wood, Glass & Ceramic Industry
- Medical Technology

... and of course in all areas where relubrication is not at all or only partly possible.



Comparison: lifetime operating time of power and free conveyor chains – without relubrication

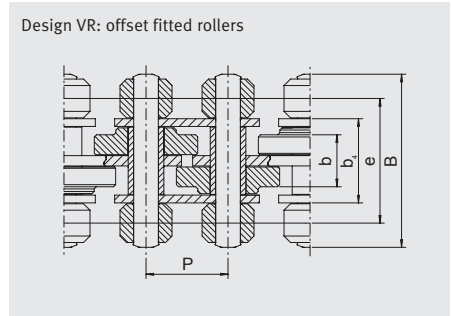


Comparison: coefficient of friction

iwis® MEGAlife power and free conveyor chains

Chains with offset fitted transport rollers

Ref. no. iwis	Pitch p (mm)	Chain width B (mm)	b (mm)	b ₄ (mm)	e (mm)	Diameter Transport rollers (mm)	Loading capacity per roller (kg)	Gewicht (kg/m)
Design VR								
L 88 SFK-ML	12,70	27	9,2	14,50	18,70	16,00	6	0,85
L 88 SFS-ML	12,70	27	9,2	14,50	18,70	16,00	8	1,40
M 120 SFK-ML	19,05	40	11,70	19,55	29,0	24,0 / 26,0 / 27,0 / 28,0	10	1,8
M 120 SFK-ML	19,05	45	11,70	19,55	31,5	24,0 / 26,0 / 27,0 / 28,0	10	1,8
M 120 SFS-ML	19,05	40	11,70	19,55	29,0	24,0 / 26,0 / 27,0 / 28,0	15	2,8
M 120 SFS-ML	19,05	45	11,70	19,55	31,5	24,0 / 26,0 / 27,0 / 28,0	15	2,8

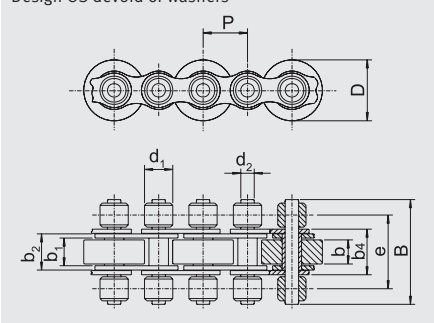


SFK – with plastic conveyor rollers
SFS – with hardened steel conveyor rollers

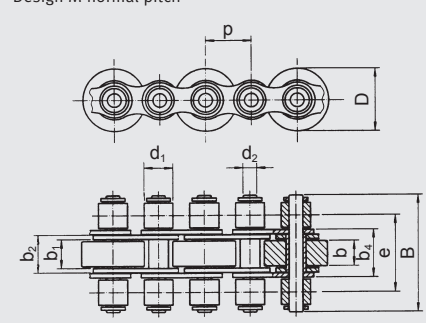
Classic power and free conveyor chains

Ref. no. iwis	Pitch p (mm)	Chain width B (mm)	e (mm)	b ₁ (mm)	b ₂ (mm) max.	b ₄ (mm) max.	Width b (mm)	Diameter Transport rollers (mm)	Loading capacity per roller (kg)	Diameter Roller d ₁ (mm)	Diameter Pin d ₂ (mm)	Weight (kg/m)
Design OS												
L 85 SFK-ML	12,7	27	18,7	7,75	11,3	14,5	7,5	16,0	17,0	18,0	6	1,2
L 85 SFS-ML	12,7	27	18,7	7,75	11,3	14,5	7,5	16,0	-	-	8	1,8
M 127 SFK-ML	19,05	40	27,5	11,75	15,62	19,55	11,0	24,0	26,0	28,0	10	2,3
M 127 SFS-ML	19,05	40	27,5	11,75	15,62	19,55	11,0	24,0	26,0	28,0	15	3,1
Design M												
M 127 SFK-ML	19,05	40	27,5	11,75	15,62	19,55	11,0	24,0	26,0	28,0	10	2,3
M 127 SFK-ML	19,05	43	29,0	11,75	15,62	19,55	11,0	24,0	26,0	28,0	10	2,3
M 127 SFK-ML	19,05	48	31,5	11,75	15,62	19,55	11,0	24,0	26,0	28,0	10	2,3
M 127 SFS-ML	19,05	40	27,5	11,75	15,62	19,55	11,0	24,0	26,0	28,0	15	3,1
M 127 SFS-ML	19,05	43	29,0	11,75	15,62	19,55	11,0	24,0	26,0	28,0	15	3,1
M 127 SFS-ML	19,05	48	31,5	11,75	15,62	19,55	11,0	24,0	26,0	28,0	15	3,1

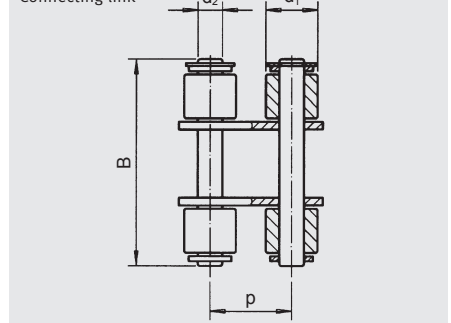
Design OS devoid of washers



Design M normal pitch



Connecting link



Our subsidiaries

Germany

iwis antriebssysteme GmbH & Co. KG
Albert-Roßhaupter-Straße 53
81369 München
Tel. +49 89 76909-1500
Fax +49 89 76909-1198
sales@iwis.com

Germany

iwis antriebssysteme GmbH
Essener Straße 23
57234 Wilnsdorf
Tel. +49 2739 86-0
Fax +49 2739 86-22
sales-wilnsdorf@iwis.com

Germany

iwis agrisystems
Schützenweg 5
36205 Sontra
Tel. +49 5653 9778-0
Fax +49 5653 9778-26
agrisystems@iwis.com

UK

iwis drive systems Ltd.
Unit 8c Bloomfield Park
Bloomfield Road, Tipton
West Midlands, DY4 9AP
Tel. +44 12 15213600
Fax +44 12 15200822
salesuk@iwis.com

France

iwis systèmes de transmission
10, rue du Luxembourg
69330 Meyzieu
Tel. +33 4374515-70
Fax +33 4374515-71
salesfr@iwis.com

Switzerland

iwis AG Kettentechnik
Bahnweg 4 (Postfach)
5504 Othmarsingen
Tel. +41 62 8898999
Fax +41 62 8898990
info@iwis-ketten.ch

Italy

iwis antriebssysteme Italia
Tel. +39 340 9296142
Fax +49 89 76909 491647
salesit@iwis.com

China

iwis drive systems (Suzhou) Co., Ltd.
266 Lv Liang Shan Road
215153 Suzhou, China
Tel. +86 512 8566-3010
Fax +86 512 8566-3009
salescn@iwis.com

USA

iwis drive systems, LLC
Building 100, 8266 Zionsville Road
Indianapolis, IN 46268 USA
Tel. +1 317 821-3539
Fax +1 317 821-3569
sales@iwisusa.com

Canada

iwis drive systems, Inc.
#1- 19349- 94th ave
Surrey B.C. V4E 4E6
Tel. +1 778-298-3622
Fax +1 778-298-7219
salesca@iwisusa.com

Brazil

iwis Sistemas de Transmissão
de Energia Mecânica Ltda.
Rua Bento Rosa, nº 1816
Bairro Hidráulica
95.900-000 Lajeado, RS
Tel. +55 51 3748-7402
salesbrazil@iwis.com

South Africa

iwis drive systems, (Pty) Ltd
Unit 3, 127 Koornhof Road
Meadowdale, 1613, South Africa
Tel. +27 11 392-2306
Fax +27 11 392-3295
salessa@iwis.com

Turkey

iwis antriebssysteme GmbH & Co. KG
Türkiye İstanbul İrtibat Bürosu
Tel. +90 543 554 3483
salestr@iwis.com

www.iwis.com

iwis
antriebssysteme
wir bewegen die welt

Your sales representative

